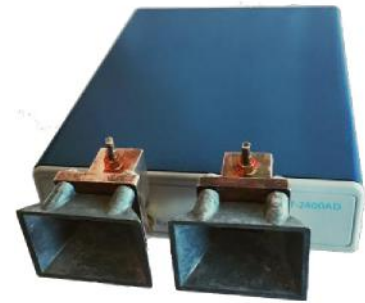


## SDR-KIT 2400AD Module

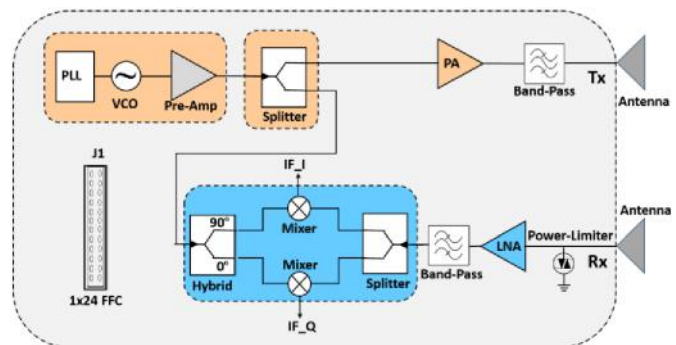
SDR-KIT 2400AD is an advanced low power and high performance RF transmitter-receiver implemented with Fractional-N Phase-Locked Loop (PLL) to achieve linearity of frequency modulation, enhance performance of target detection, and improve range resolution. It is intended to interface with the processor module SDR-PM 402, which functions as a micro controller, processor and power management with a 24-pin flat flex cable (FFC) to form a standalone system.



Typical output power of the transmitter channel is 16 dBm. Single-ended SMA female connectors are installed for easy connection to antennas. The receiver has an overall 6.4dB low noise figure with two stages of low-noise amplifier and exceptionally linear response with a flat gain of 28dB.

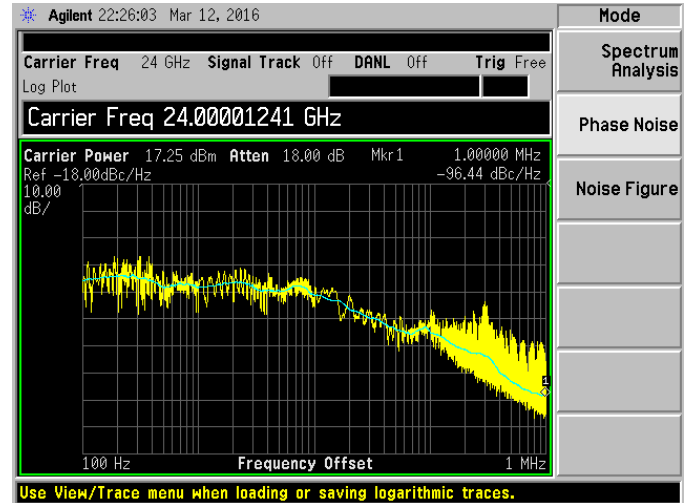
### FEATURES

- K-band 24-26 GHz
- FMCW/FSK/CW waveforms
- Wide bandwidth up to 2 GHz
- Moderate output power
- Low phase noise
- Single +5V DC supply voltage
- Low power consumption
- SMA connectors for antennas
- 24-pin FFC cable for connecting to our processor module
- Fractional-N phase-locked loop of VCO linearity



# SPECIFICATION

Parameter	Min.	Typ.	Max	Units
Frequency Range	24		26	GHz
Tune Voltage	0		5	V
Tuning Sensitivity @RF Port		1.5		GHz/V
Power Output	14	16	18	dBm
SSB Phase Noise @1MHz offset		-96		dBc
Conversion Gain Over Rx Channel	18	26	31	dB
Noise Figure over Rx channel		6.4		dB
Maximum input power		0		dBm
OIP3		32		dBm
IIP3		-4		dBm
IIP <sub>1dB</sub>		-12		dBm
Supply voltage	4.75	5	5.25	V
Supply current	850	900	950	mA
Operating temperature	-40		85	C°
Storage temperature	-65		150	C°
RF Dimensions	L=79mm W=56mm H=13mm Weight=53g			
PM Dimensions	L=79mm W=76mm H=13mm Weight=184g			



**To Purchase:**

**Ancortek Inc.**  
 11092 B Lee Highway  
 Suite 104  
 Fairfax, VA 22030

**+1-703-531-8997**

[info@ancortek.com](mailto:info@ancortek.com)  
[www.ancortek.com](http://www.ancortek.com)

**We offer customization!**  
 Please contact us regarding  
 your custom development  
 needs.

## SDR-RF 2400AD Module Specifications

Parameter	Units	Value
Waveform		CW/FMCW/FSK
Center Frequency	GHz	24
FM Swept Bandwidth	GHz	0.5, 0.75, 1.5, 2.0
FSK Frequency Step	MHz	6
Sweep Time	ms	1, 2, 4, 10
Number of Samples per Sweep		128, 256, 512, 1024
Power Output	dBm	16
Antenna Gain	dBi	18