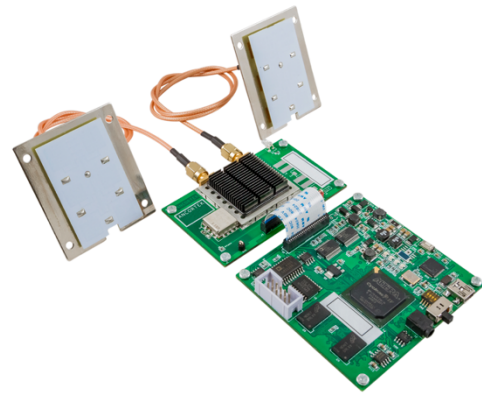


## SDR-KIT 980B Module

SDR-KIT 980B offers the ability to integrate 9.8GHz X-band software-defined transmitter-receiver systems with the processor module SDR-PM 402 for various applications.

The SDR Evaluation Kit includes:

- One SDR-RF 980B module
- One SDR-PM 402 processor module
- One copy of SDR-GUI graphical user interface software
- One AC/DC power adapter (5V, 3.0A)
- One mini USB retractable cable
- One pair of RF cables
- One pair of the transmitting and receiving antennas



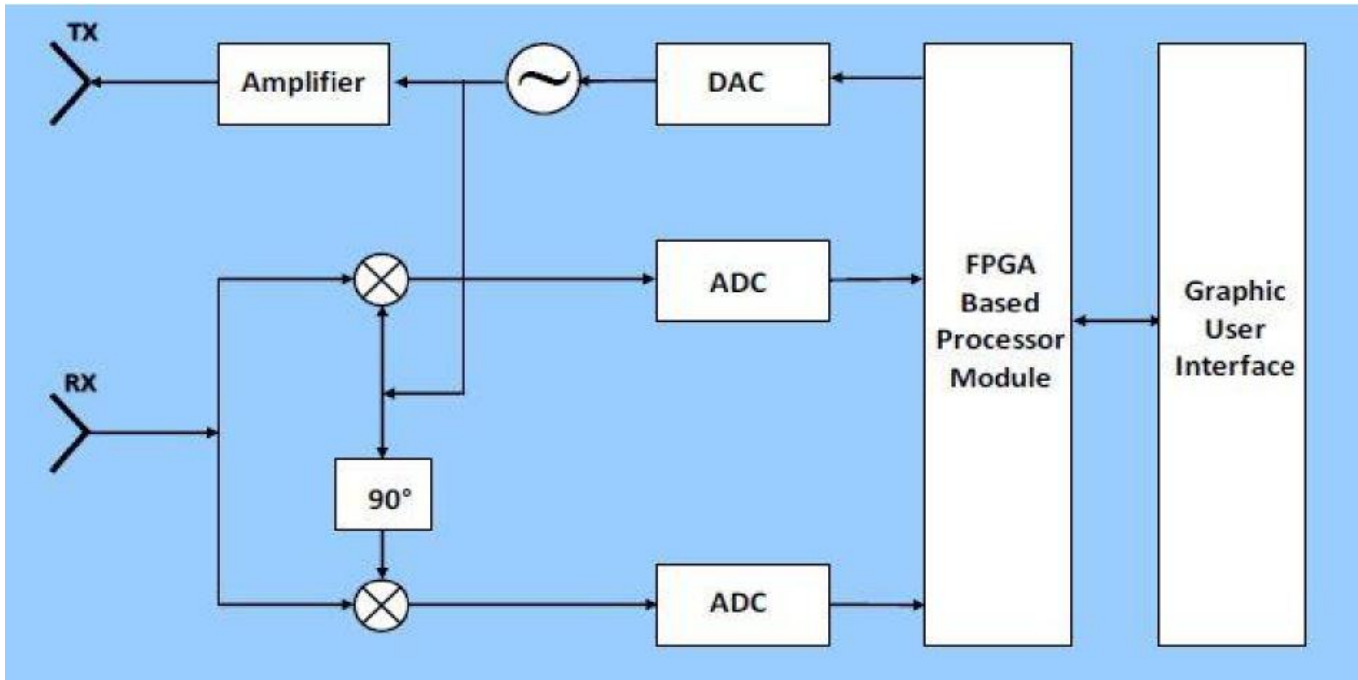
The SDR processor module (SDR-PM 402) is compatible with this SDR-RF 980B module. The graphic user interface software SDR-GUI is for activating this RF module, selecting operation parameters, and collecting data.

The graphical user interface SDR-GUI is used to control the configuration of the SDR Evaluation Kit via a USB 2.0 cable. Digital samples of control voltage are generated by the FPGA firmware, and then converted to analog control voltage which directly feeds the voltage controlled oscillator (VCO). The output of the mixer in the receive chain is digitized and streamed to host computer for real-time processing.

## FEATURES

- FMCW/FSK/CW waveforms
- Reconfigurable
- Wide bandwidth up to 400MHz (9.6GHz-10.0GHz)
- Output power >17dBm
- Low phase noise
- Low noise figure over receiver channel
- Low power consumption
- Suppression of cooling fan interference
- On-board automatic correction of VCO nonlinearity
- Compactness and flexibility

## SDR-KIT 980B Block Diagram



## SDR-RF 980B Module Specifications

Parameter	Unit	Value
Waveform		CW/FMCW/FSK
Center Frequency	GHz	9.8
FM Swept Bandwidth*	MHz	100, 150, 300, 400
FSK Frequency Step	MHz	6
Sweep Time	ms	0.5, 1, 4, 10
Number of Samples per Sweep		128, 256, 512, 1024
Power Output	dBm	18
Antenna Gain	dBi	12

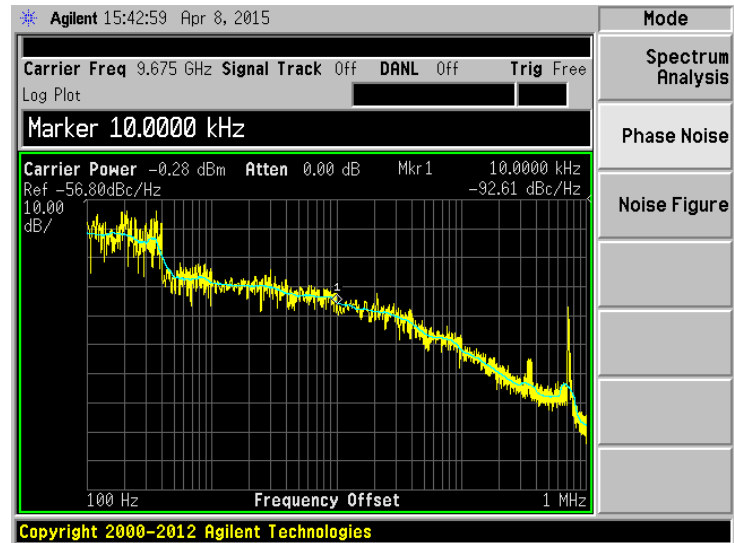
\*Expandable up to 1GHz

## SDR-KIT 980B Sample Applications

- Anti-collision
- Motion detection
- Environmental monitoring
- 3-D level meter
- High resolution SAR and ISAR imaging

# SPECIFICATION

Parameter	Min.	Typ.	Max.	Unit
Frequency Range	9.6		10.0	GHz
Expandable Frequency Range	9.2		10.2	GHz
Tune Voltage	0		5	V
Tuning Sensitivity @RF Port		0.2		GHz/V
Power Output	17	18	20	dBm
SSB Phase Noise @10KHz offset		-92		dBc
SSB Phase Noise @1MHz offset		-130		dBc
Conversion Gain Over Rx Channel	26	28	30	dB
Noise Figure over Rx channel	3.2	3.4	3.6	dB
Maximum input power		10		dBm
OIP3		35		dBm
IIP3		-8		dBm
IIP <sub>1dB</sub>		-13		dBm
Supply voltage	4.75	5	5.25	V
Supply current	650	670	700	mA
Operating temperature	-40		85	C°
Storage temperature	-65		150	C°
RF Dimensions	L=79mm W=56mm H=13mm Weight=53g			
PM Dimensions	L=79mm W=76mm H=13mm Weight=184g			



## To Purchase:

**Ancortek Inc.**  
 11092 B Lee Highway  
 Suite 104  
 Fairfax, VA 22030

**+1-703-531-8997**

[info@ancortek.com](mailto:info@ancortek.com)  
[www.ancortek.com](http://www.ancortek.com)

### We offer customization!

Please contact us regarding your custom development needs.