

## K-Band WR-42 Waveguide Standard Gain Horn Antenna

**ANC-W42-10**



**ANC-W42-15**



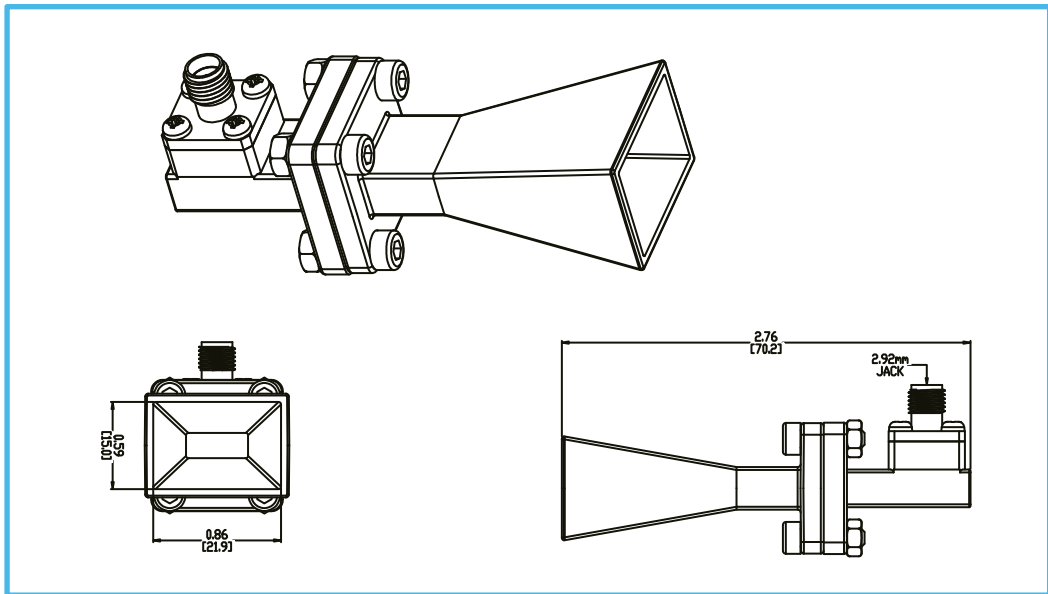
- WR-42 Waveguide interface
- Horn antenna
- Directional antenna pattern
- Linear polarization
- 3.5 mm female coaxial RF connector

### **Specifications:**

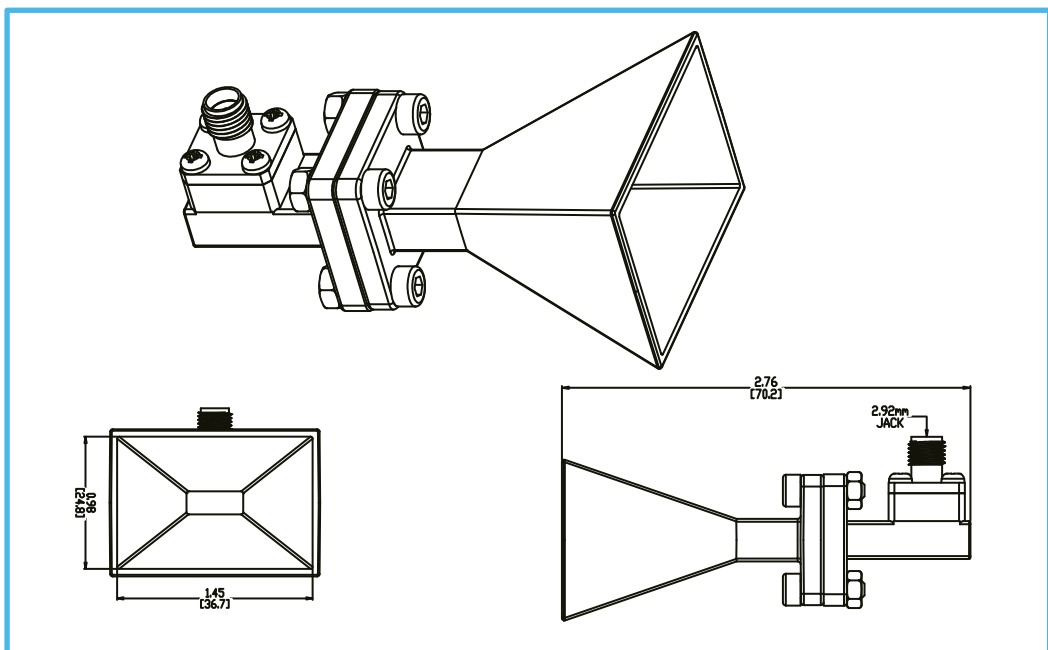
DESCRIPTION	ANC-W42-10	ANC-W42-15
Frequency Range	K-band 18-26.5 GHz	K-band 18-26.5 GHz
Impedance	50 Ohms	50 Ohms
Nominal Gain	10 dBi	15 dBi
Horizontal Beam Width	60 Degrees	30 Degrees
Vertical Beam Width	60 Degrees	30 Degrees
Input VSWR	<1.5	<1.5

## Outline Drawing (size mm):

### ANC-W42-10

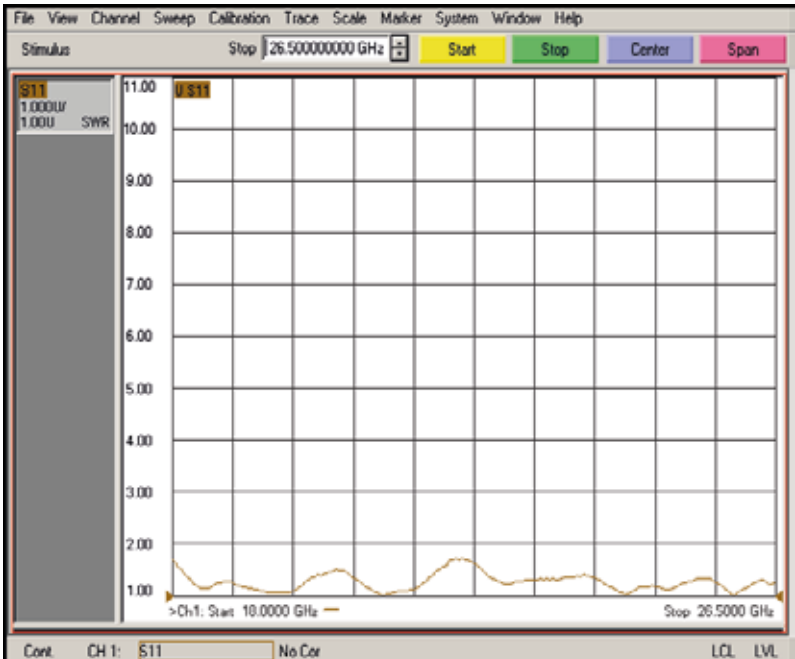


### ANC-W42-15



**VSWR:**

ANC-W42-10



ANC-W42-15

